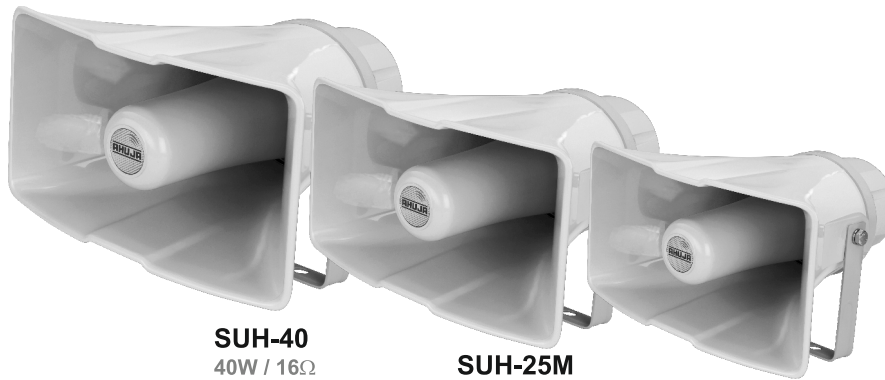




UHC-30
30W / 8Ω

UHC-25
25W / 8Ω

UHC-15
15W / 8Ω



SUH-40
40W / 16Ω

SUH-25M
25W / 8Ω

SUH-15M
15W / 8Ω

- Ahuja high quality, weather proof horn speakers are compact, light weight and rugged. They are moulded in tough UV protected ABS plastic for longer lasting finish.
- Designed for acoustical efficiency providing a high SPL for a clean intelligible sound and effective sound penetration.
- Voice coils are precision-wound on an aluminium bobbin for good heat dissipation from the coil, thereby improving efficiency and reliability.
- Fitted with 0.6m (2') 2-core sheathed speaker cable, secured through a water-tight, tug-proof cable gland.
- These models have been provided with robust metal brackets/stands rotating through 270°. Rectangular models are particularly suitable for mounting on vehicles & boats.
- They meet European Union regulations and comply with low voltage directive standard EN 60065. Degree of protection IP 66 is provided against foreign particles such as dust and jets of water, thus making them ideal for outdoor use.
- UV Protected ABS Bell, Reflector and Back Cover. External Stand Mounting Bolts in Stainless Steel.

**Ideal for Paging System... Siren & Alarm Systems... Traffic & Crowd Control by Police...
Indoor & Outdoor Applications... Publicity... Vehicle Installation... High Noise Areas...**

SPECIFICATIONS	UHC-30	UHC-25	UHC-15	SUH-40	SUH-25M	SUH-15M
INPUT POWER	30W RMS/45W Max.	25W RMS/38W Max.	15W RMS/23W Max.	40W RMS/60W Max.	25W RMS/38W Max.	15W RMS/23W Max.
IMPEDANCE	8Ω	8Ω	8Ω	16Ω	8Ω	8Ω
FREQ. RESPONSE	240-10,000Hz	250-10,000Hz	275-7,000Hz	180-7,000Hz	250-10,000Hz	275-7,000Hz
SPL at 1kHz	108dB/1W/1m	108dB/1W/1m	106dB/1W/1m	112.5dB/1W/1m	108dB/1W/1m	106dB/1W/1m
	123dB/30W/1m	122dB/25W/1m	118dB/15W/1m	128.5dB/40W/1m	122dB/25W/1m	118dB/15W/1m
DIMENSIONS	ø313 (L285) mm	ø274 (L280) mm	ø205 (L245) mm	400 x 200 (L385) mm	315 x 165 (L290) mm	253 x 152 (L265) mm
WEIGHT	1.98kg	1.94kg	1.44kg	3.20kg	1.90kg	1.50kg
MATERIAL	ABS (UV Protected)	ABS (UV Protected)	ABS (UV Protected)	ABS (UV Protected)	ABS (UV Protected)	ABS (UV Protected)

Design and Specifications are subject to change without notice owing to continuous product up-gradation. Technical specifications are subject to production tolerances.

We cannot be held responsible for printing errors, should they occur. AHUJA is a registered trademark of Ahuja Radios in India and other countries.

© Copyright Ahuja Radios, 2024. All rights reserved. Any unauthorized reproduction or use of logos, images or design elements is strictly prohibited by law.

No part of this compilation may be reproduced in any manner or translated without written permission.



UHC-30XT
30W / 100V

UHC-25XT
25W / 100V

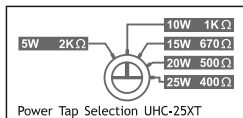
UHC-15XT
15W / 100V



SUH-40XT
40W / 100V

SUH-25MT
25W / 100V

SUH-15MT
15W / 100V



- Ahuja high quality, weather proof horn speakers are compact, light weight and rugged. They are moulded in tough UV protected ABS plastic for longer lasting finish.
- The specifications and construction of these are similar to the low impedance horn speakers. These models have been provided with 100V line matching transformers with multiple taps/impedance easily selectable by changing the position of the rotary switch at the rear of the sealed assembly.
- These 100V models are ideal for installations where long speaker cables are used, to avoid power loss in the cables.
- Rectangular models are particularly suitable for areas where directivity of sound is of importance.
- They meet European Union regulations and comply with low voltage directive standard EN 60065. Degree of protection IP 66 is provided against foreign particles such as dust and jets of water, thus making them ideal for outdoor use.
- UV Protected ABS Bell, Reflector and Back Cover. External Stand Mounting Bolts in Stainless Steel.

**Ideal for Paging System... Siren & Alarm Systems... Traffic & Crowd Control by Police...
Indoor & Outdoor Applications... Publicity... Vehicle Installation... High Noise Areas...**

SPECIFICATIONS	UHC-30XT	UHC-25XT	UHC-15XT	SUH-40XT	SUH-25MT	SUH-15MT
INPUT POWER	30W RMS/45W Max.	25W RMS/38W Max.	15W RMS/23W Max.	40W RMS/60W Max.	25W RMS/38W Max.	15W RMS/23W Max.
POWER TAPS	30/25/20/15/10/5W	25/20/15/10/5W	15/10/5/2.5W	40/30/20/10/5W	25/20/15/10/5W	15/10/5/2.5W
IMPEDANCE	330/400/500/670/1k/2kΩ	400/500/670/1k/2kΩ	670/1k/2k/4kΩ	250/330/500/1k/2kΩ	400/500/670/1k/2kΩ	670/1k/2k/4kΩ
FREQ. RESPONSE	240-10,000Hz	250-10,000Hz	275-7,000Hz	180-7,000Hz	250-10,000Hz	275-7,000Hz
SPL at 1kHz	108dB/1W/1m	108dB/1W/1m	106dB/1W/1m	112.5dB/1W/1m	108dB/1W/1m	106dB/1W/1m
	123dB/30W/1m	122dB/25W/1m	118dB/15W/1m	128.5dB/40W/1m	122dB/25W/1m	118dB/15W/1m
DIMENSIONS	ø313 (L315) mm	ø274 (L310) mm	ø205 (L270) mm	400 x 200 (L422) mm	315 x 165 (L320) mm	253 x 152 (L293) mm
WEIGHT	2.39kg	2.34kg	1.78kg	3.90kg	2.30kg	1.90kg
MATERIAL	ABS (UV Protected)	ABS (UV Protected)	ABS (UV Protected)	ABS (UV Protected)	ABS (UV Protected)	ABS (UV Protected)

Design and Specifications are subject to change without notice owing to continuous product up-gradation. Technical specifications are subject to production tolerances.

We cannot be held responsible for printing errors, should they occur. AHUJA is a registered trademark of Ahuja Radios in India and other countries.

© Copyright Ahuja Radios, 2024. All rights reserved. Any unauthorized reproduction or use of logos, images or design elements is strictly prohibited by law.

No part of this compilation may be reproduced in any manner or translated without written permission.