



These professional high quality PA Gooseneck Microphones are suitable for various PA applications such as on Lecterns and Podiums, Open Conferences etc. The sleek and slender design makes the microphones unobtrusive. Model GM-601LM has a ring LED indication, useful in open conferences; while GM-615M and GM-611M have a longer reach. GM-605 is shorter and of the same length as GM-601LM. AGN-500 and AGN-480 are fitted with stand mount base and are supplied with 6m twin core shielded low noise cable.

All six microphones feature

- Wide frequency response.
- High front-to-back rejection for more gain before feedback.
- Built-in XLR socket.

Specifications

	GM-615M	GM-611M	GM-605	GM-601LM	AGN-500	AGN-480
Frequency Response	50-18,000Hz	100-15,000Hz	100-15,000Hz	100-15,000Hz	50-15,000Hz	50-10,000Hz
Impedance	1kΩ	1kΩ	1kΩ	1kΩ	600Ω	600Ω
Sensitivity	5.0mV/Pa	7.0mV/Pa	4.0mV/Pa	7.0mV/Pa	2.5mV/Pa	2.0mV/Pa
Power Source	1.5V-9V DC	1.5V-9V DC	1.5V-9V DC	3V-9V DC	—	—
Overall Length	585mm (23")	585mm (23")	460mm (18")	460mm (18")	395 mm (15½")	470 mm (18½")

G-611S

This is a mic stand adapter for Ahuja gooseneck microphones model GM-615M, GM-611M and GM-605. It has a well styled rugged heavy duty aluminium die-cast body with a female XLR connector for directly mounting the gooseneck microphone. A male XLR connector has been provided at the bottom for connecting the cable.

- 10 mtrs. 2-core shielded cable with in-line cell housing.
- Operates on 1.5V (1×UM-3) pencil cell provided.
- Special circuitry employed for minimal switch noise.
- Threaded brass ferrule with 5/8"×27 TPI, suitable for standard microphone stands.



G-622S

Strong 254 mm (10") long flexible gooseneck shaft in silver finish Exclusively designed for converting any XLR microphone into a gooseneck microphone. A female XLR connector is provided at the top for connecting any XLR microphone and a male XLR connector has been provided at the bottom for connecting the microphone cable. Fitted with stand mount base to match all Ahuja PA Microphone Stands.



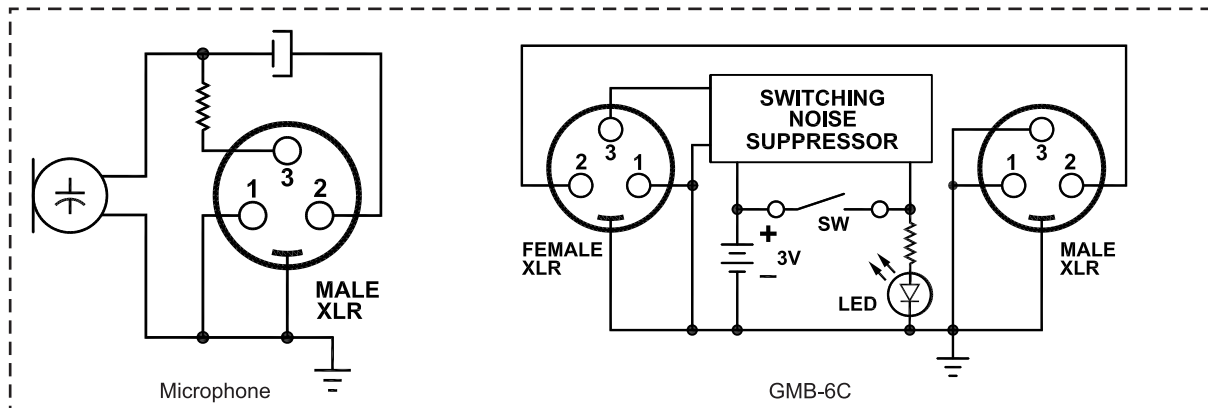
GMB-6C

This is a sturdy, heavy duty base made of die-cast aluminium suitable for Ahuja electret condenser gooseneck microphones. It has a female XLR connector for directly mounting the gooseneck microphone and a male XLR socket at the rear for connecting standard microphone cable to the amplifier.

- Heavy weight housing with anti-skid feet ensures stability.
- 10 mtrs. shielded 2-core mic cable with XLR connector & 6.3mm (1/4") phone plug.
- LED provided for indicating ON status.
- Built-in cell housing for 2×UM-3 pencil cells (3V) for operating the condenser microphone.
- On/Off switch provided. Special electronic circuitry for minimal switch noise.



Circuit Diagram



Design and Specifications are subject to change without notice owing to continuous product up-gradation. Technical specifications are subject to production tolerances.

We cannot be held responsible for printing errors, should they occur. **AHUJA** is a registered trademark of Ahuja Radios in India and other countries.

© Copyright Ahuja Radios, 2023. All rights reserved. Any unauthorized reproduction or use of logos, images or design elements is strictly prohibited by law.

No part of this compilation may be reproduced in any manner or translated without written permission.