

**AHUJA**<sup>®</sup>

## **2-Way Compact Premium Wall Speakers**

OPERATION MANUAL



**IMPRESS 75T**

**IMPRESS 100T**

- ◆ Thank you for purchasing the AHUJA 2-Way Compact Wall Speakers.
- ◆ Please read this manual thoroughly before making connections and turning ON the power. Following the instructions in this manual will enable you to obtain optimum performance from your new AHUJA 2-Way Compact Wall Speakers.
- ◆ Please retain this manual for future reference.

## • Safety Instructions

**Read the Instructions:** Please read all the instructions in this section carefully before installation or use of the product. All the safety instructions must be followed.

**Retain the Instructions:** Please retain this Instruction Manual for future reference.



This symbol, wherever it appears, alerts you to the presence of uninsulated hazardous voltage that may be sufficient to constitute a risk of electric shock. External wiring to any terminal marked with this symbol must be done by a trained and instructed person only.



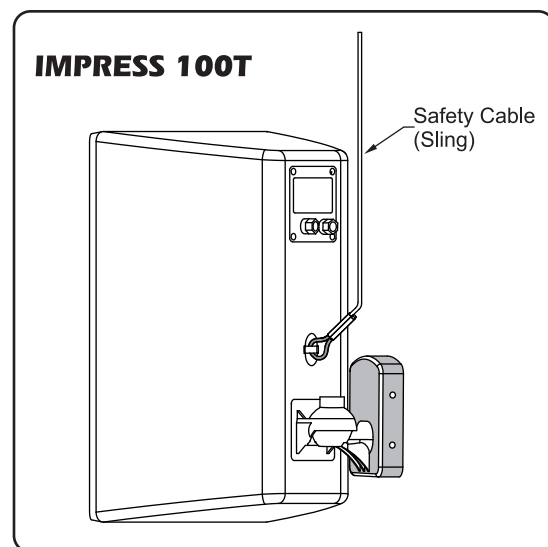
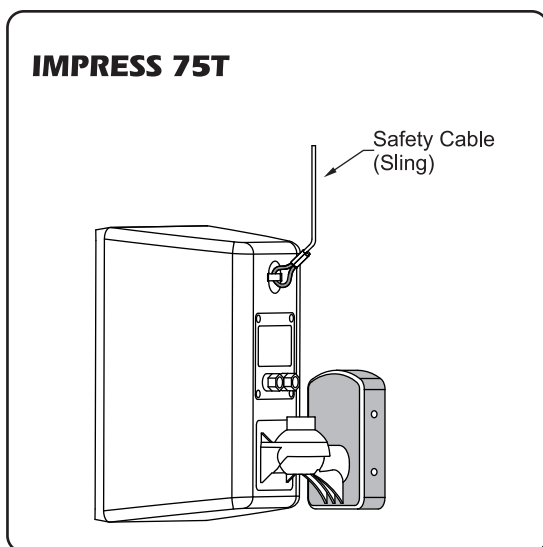
This symbol, wherever it appears adjacent to a component, alerts you that the concerned component can only be replaced by another of the exact same specifications.

### WARNING

- Suspending any object is potentially dangerous and should only be attempted by individuals who have a thorough knowledge of the techniques and regulations of suspending objects overhead. Ahuja strongly recommends that loudspeakers be suspended taking into account all current national, federal, state, and local laws and regulations. It is the responsibility of the installer to ensure all loudspeakers are safely installed in accordance with all such requirements. When loudspeakers are suspended, Ahuja strongly recommends the system be inspected at least once per year or as laws and regulations require. If any sign of weakness or damage is detected, remedial action should be taken immediately. The user is responsible for making sure the wall, ceiling, or structure is capable of supporting all objects suspended overhead. Any hardware used to suspend a loudspeaker not associated with Ahuja is the responsibility of others.

### SAFETY POINT

- As an added safety measure, it is strongly recommended to utilize a properly rated secondary safety cable (provided by the installer) to securely fasten the speaker from the safety point on its back to a secondary mounting structure on the building.



<b>Contents</b>	<b>Page No</b>
● <b>Introduction</b> .....	4
● <b>Installation</b> .....	5
● <b>Power Tap Selection</b> .....	6
● <b>Product Dimensions</b> .....	7
● <b>Specifications</b> .....	8

## • Introduction

High performance 2-Way Compact Wall Speakers in modern & attractive plastic housing. Superb tonal quality provides high fidelity with uniform coverage. Special mounting arrangement for easy, quick & sturdy installation. Unique mount system facilitates 90° horizontal & 45° vertical rotation of the wall speaker. Comprises of a Water Resistant PP coated cone Woofer, a Titanium Dome Tweeter and a 2-way Crossover Network. Easy power tap selection through a rotary switch knob at the rear, for 8Ω & 100V operation. Ideal for various indoor and outdoor (under eaves) applications in Airports, Banks, Schools, Hotels, Restaurants, Lounges, Hospitals, Showrooms etc.

## SYSTEM FEATURES

### IMPRESS 75T

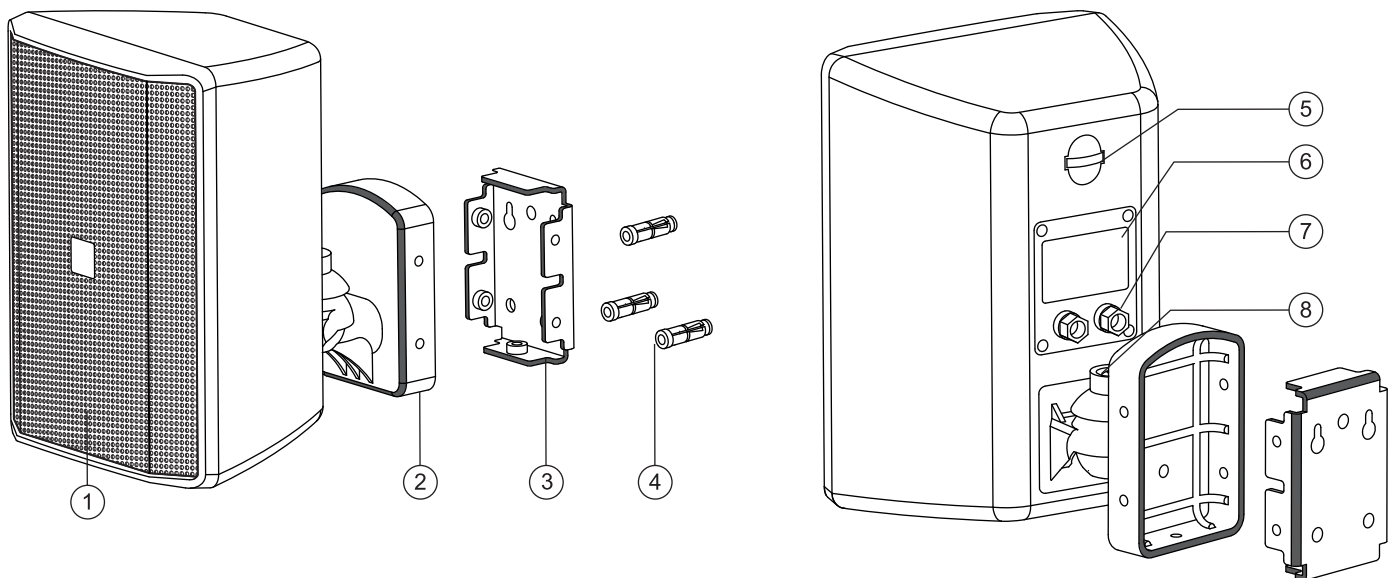
- Designed with superior aesthetics and engineered for unmatched sound reproduction
- Long throw 133 mm (5.25") woofer housed in ABS plastic enclosure for extended LF performance down to 60 Hz
- 75 W power handling provides for 110 dB maximum SPL
- 100 V transformer is provided for constant voltage systems

### IMPRESS 100T

- Designed with superior aesthetics and engineered for unmatched sound reproduction
- Long throw 203 mm (8" ) woofer housed in a ABS plastic enclosure for extended LF performance down to 50 Hz
- 100 W power handling provides for 112 dB maximum SPL
- 100 V transformer is provided for constant voltage systems

### PRODUCT INFORMATION FOR IMPRESS 75T & IMPRESS 100T

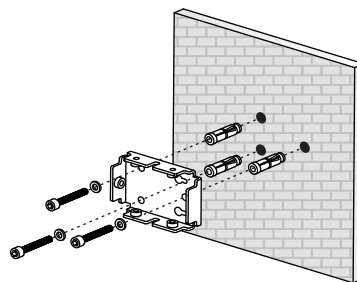
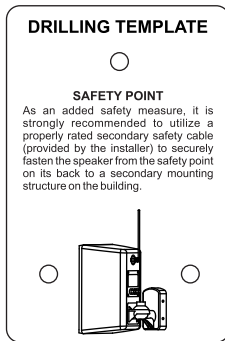
- |                         |                      |                          |
|-------------------------|----------------------|--------------------------|
| 1. Steel Grille         | 2. Speaker Bracket   | 3. Wall Mount Bracket    |
| 4. Wall Mount Fasteners | 5. Safety Cable Loop | 6. Plastic Weather Cover |
| 7. Speaker Terminals    | 8. Locking Bolt      |                          |



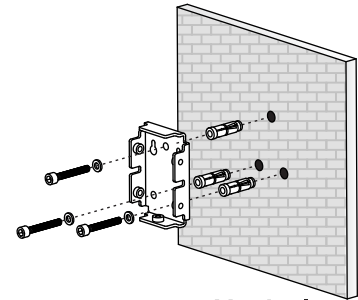
## INSTALLING THE SPEAKER

For safe installation, user should ensure that mounting wall/surface has higher load bearing capacity than the weight of the wall speaker. Use only standard fasteners and mounting methods for fixing the wall mount bracket. Consult an expert if you are unsure.

For installing the wall bracket horizontally or vertically, use the drilling template card as supplied alongwith.



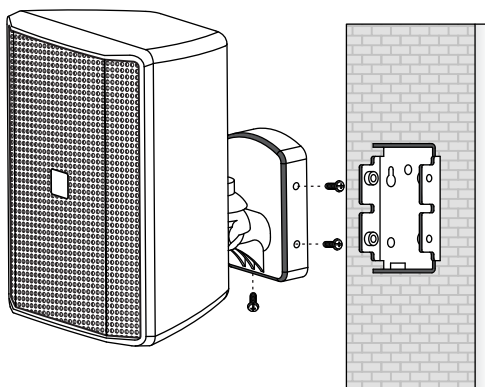
**Horizontal  
Wall Bracket Fixing**



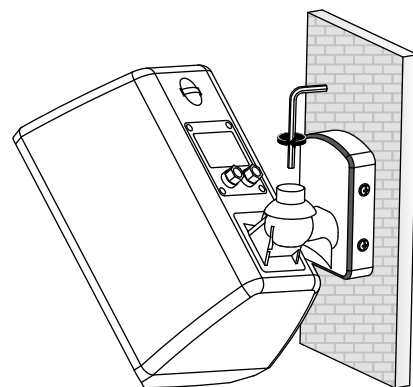
**Vertical  
Wall Bracket Fixing**

For installing the speaker, follow the steps given below:

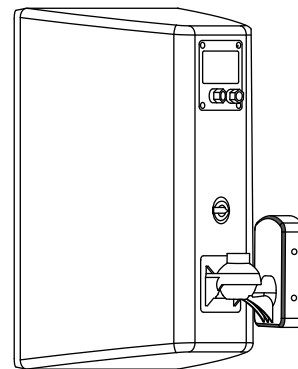
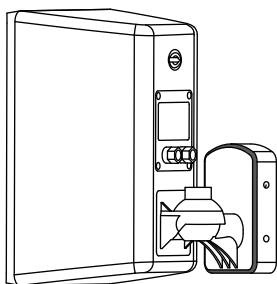
1. Loosen the **locking bolt** (8) with the Allen wrench (supplied alongwith).
2. Adjust the **horizontal and vertical position** of the speaker bracket for the desired angle of the speaker.
3. Tighten the **locking bolt** with an Allen wrench (supplied alongwith).  
If available, we recommend using an Allen wrench with a longer handle to make it easier to apply the necessary force to achieve the desired torque.
4. Push the **speaker bracket** (2) onto the wall mount bracket.



**IMPRESS 75T**

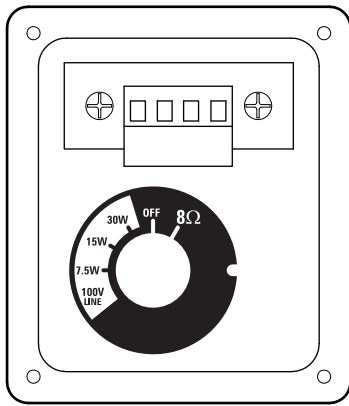


**IMPRESS 100T**

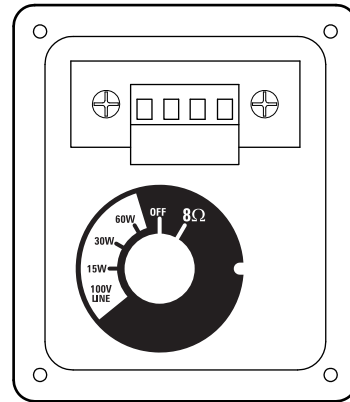


## • Power Tap Selection

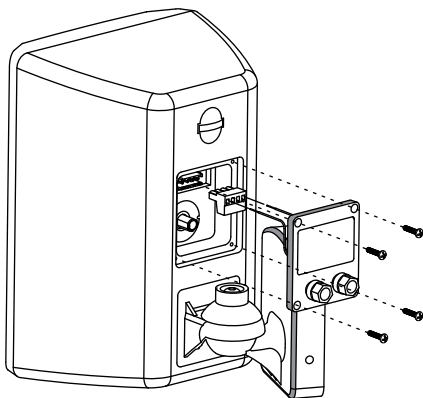
1. Open the four screws of Plastic Weather Cover (6).
2. Rotate the knob to desired power tap position.
3. Tighten back the weather cover.



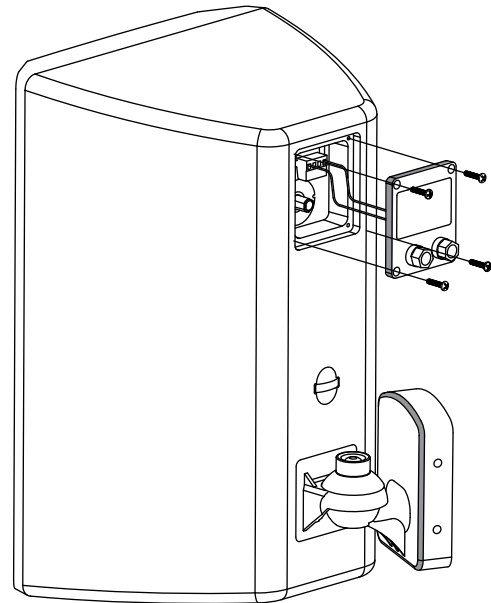
**IMPRESS 75T**



**IMPRESS 100T**

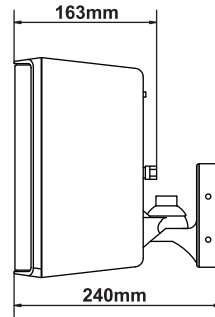
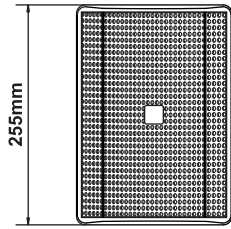
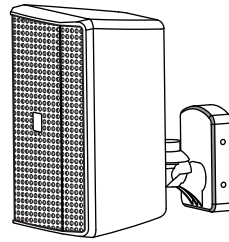
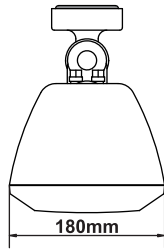


**IMPRESS 75T**

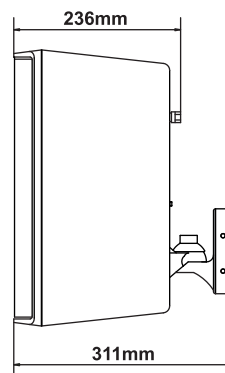
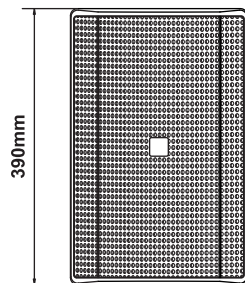
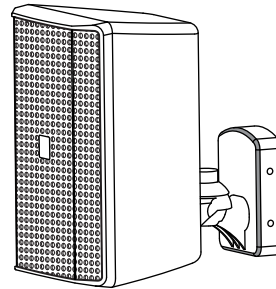
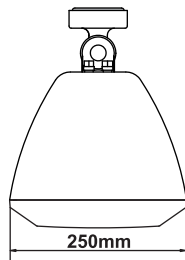


**IMPRESS 100T**

## • Product Dimensions



**IMPRESS 75T**



**IMPRESS 100T**

## • Specifications

	<b>IMPRESS 75T</b>	<b>IMPRESS 100T</b>
<b>Power Handling</b>	75W RMS / 115W Max.	100W RMS / 150W Max.
<b>Nominal Impedance</b>	8Ω	8Ω
<b>Transformer Power Taps</b>	30/15/7.5W	60/30/15W
<b>Frequency Response</b>	60 – 20,000Hz	50 – 20,000Hz
<b>SPL at 1kHz (1W/1m)</b>	90 dB	90dB
<b>Max SPL</b>	110dB	112dB
<b>Coverage Angle (HxV)</b>	90° × 90°	90° × 90°
<b>LF Speaker</b>	133mm (5.25")	203mm (8.0")
<b>HF Tweeter</b>	20mm (0.75")	25mm (1.0")
<b>Connectors</b>	Removable locking 4-pin connector (Euroblock) for connection to additional speakers or to the binding post.	Removable locking 4-pin connector (Euroblock) for connection to additional speakers or to the binding post.
<b>Dimensions</b>	W180 × H255 × D163mm	W250 × H390 × D236mm
<b>Weight</b>	3.23kg Approx.	6.15kg Approx.

Design and Specifications are subject to change without notice owing to continuous product up-gradation. Technical specifications are subject to production tolerances.

We cannot be held responsible for printing errors, should they occur. **AHUJA** is a registered trademark of Ahuja Radios in India and other countries.

© Copyright Ahuja Radios, 2024. All rights reserved. Any unauthorized reproduction or use of logos, images or design elements is strictly prohibited by law.

No part of this compilation may be reproduced in any manner or translated without written permission.

### AHUJA RADIOS

215, Okhla Industrial Estate, New Delhi-110020, INDIA

C-45, Phase-II, Noida-201305 (UP) INDIA ● 3, Okhla Industrial Estate, New Delhi-110020 INDIA

Tel.: +91-11-26831549, 41612474 Fax: +91-11-26847287 E-mail: [ahuja@ahujaradios.com](mailto:ahuja@ahujaradios.com)

Website: [www.ahujaradios.com](http://www.ahujaradios.com)