

LSX-930T



- ◆ Thank you for purchasing AHUJA Landscape Speaker LSX-930T
- ◆ Please read this manual thoroughly before making connections and turning on the power. Following the instructions in this manual will enable you to obtain optimum performance from your new AHUJA Landscape Speaker.
- ◆ Please retain this manual for future reference.

• Safety Instructions

Read the Instructions: Please read all the instructions in this section carefully before installation or use of the product. All the safety instructions must be followed.

Retain the Instructions: Please retain this Instruction Manual for future reference.



This symbol, wherever it appears, alerts you to the presence of uninsulated hazardous voltage that may be sufficient to constitute a risk of electric shock. External wiring to any terminal marked with this symbol must be done by a trained and instructed person only.



This symbol, wherever it appears adjacent to a component, alerts you that the concerned component can only be replaced by another of the exact same specifications.

CAUTIONS

No user serviceable parts inside. Refer all servicing to qualified personnel only.

• Table of Contents

Contents	Page No.
■ Features	4
■ Connections.....	5
■ Installations	6
■ Dimensions	7
■ Specifications	7

• Features

The Ahuja LSX-930T is a two-way speaker system with weather resistant IP-66 rating. It is designed so as to harmoniously merge with any landscaped area. Provides high fidelity sound and horizontal dispersion pattern of 360 degrees. The special downward speaker design, combined with sturdy enclosure, gives protection to the speaker system from dust and water. Designed to be mounted on or in the ground for a wide variety of applications like Hotels, Theme Parks, Resorts, Gardens, Lawns, Monuments, Residential Area etc.

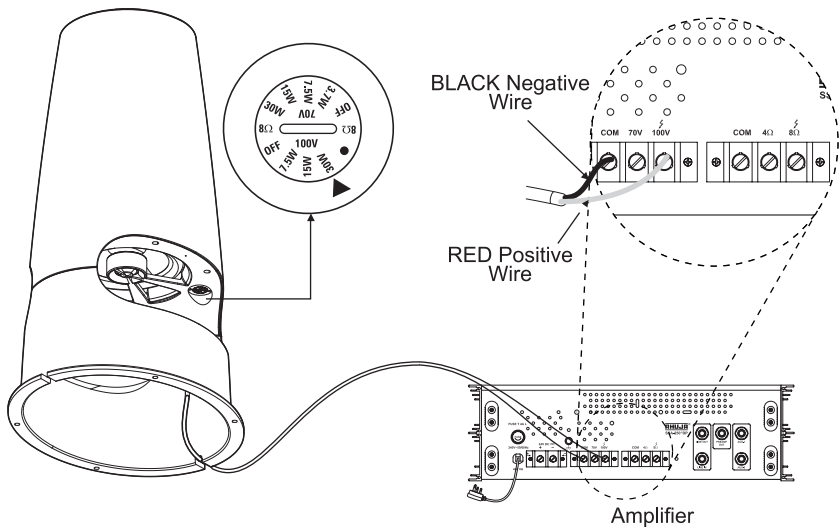
System Features

- Warm and immersive sound
- Weather-proof application with IP66 rating
- 2-way loudspeaker design
- 360° outdoor coverage
- Three power taps on 100V input and an 8Ω tap
- Available in green color

It is equipped with an integrated two-core cable, a built-in 100V line transformer and a rotary selector switch. Before making connections, select the desired power tap on 100V line or low impedance 8Ω tap, through the rotary selector switch. Connect the positive conductor (RED wire) from the speaker to the 100V or 8Ω terminal of the amplifier. Similarly, connect the negative conductor (BLACK wire) to COM terminal of the amplifier.

Wiring Tips

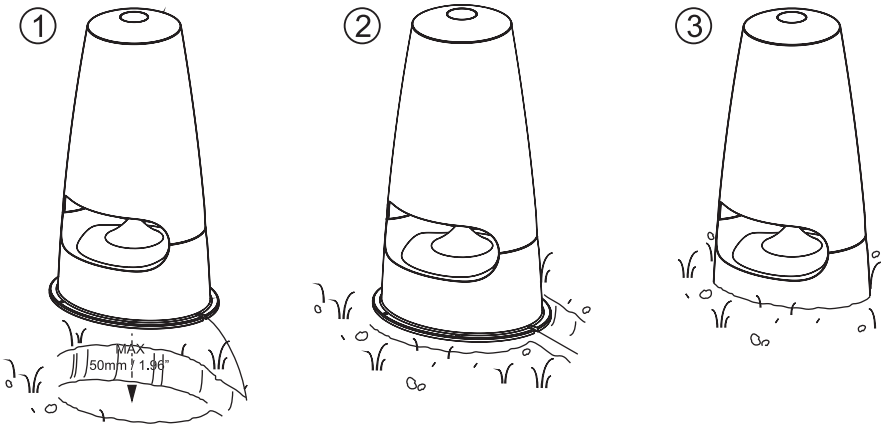
- The length of speaker lines should be kept to a minimum (long distances may require the use of cables with larger cross-sections).
- Use cables with conductors of adequate cross-section, considering total length of the cable and the total power of the speakers.
- Speaker cables should not be routed together with power conductors, microphone cables, or other lines. This helps in preventing buzzing & interference in the system.
- Use cables with twisted conductors.
- Never connect speaker system directly to a constant voltage line i.e., 100V or 70V, if selector switch is at 8Ω position.



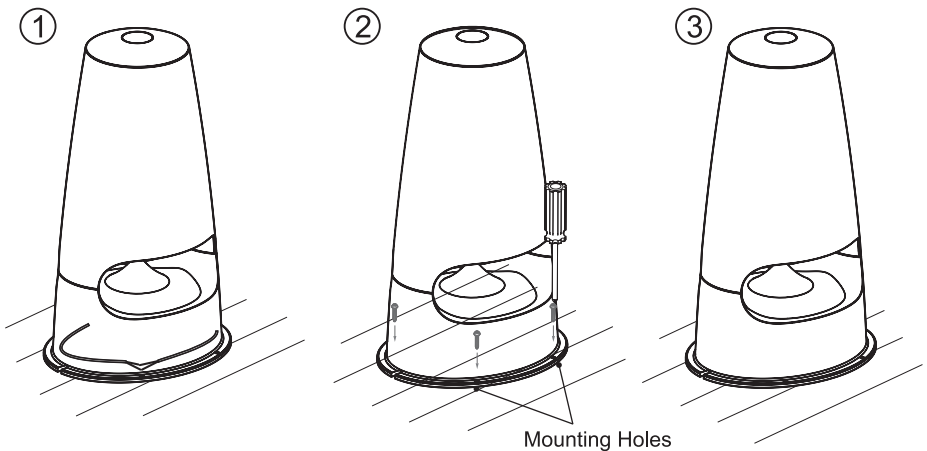
• Installations

The Ahuja LSX-930T is designed to be installed below ground level, with the bottom part buried no deeper than 47mm (1.85") in the soil or the speaker can be installed on wooden or concrete surfaces. There are two slots on the bottom of the speaker to allow for entrance and exit of the cable, when using multiple speakers on distributed lines. Anchoring the speaker for stability and security can be accomplished using suitable screws through the pre-drilled holes located at the base of the speaker.

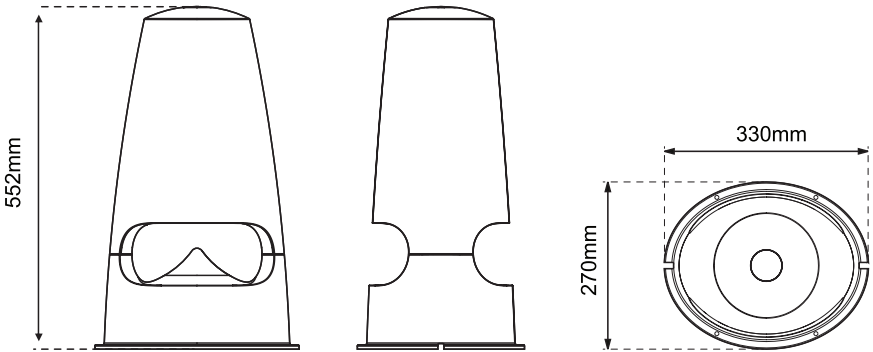
Ground Installation



Installation On Concrete Or Wood



• Dimensions



• Specifications

Model	LSX-930T
Power Handling	30W RMS/ 45W MAX.
Power Taps on 100V	30/15/7.5W
Low Impedance	8Ω
Frequency Response	70 – 20,000Hz
SPL at 1kHz (1W/1m)	95 dB
Coverage Angle (HxV)	360°
LF Speaker	165mm (6.5")
HF Tweeter	25.4mm (1")
Colour	Green
Dimensions	W330 × H552 × D270mm
Weight	3.50kg Approx.

Design and Specifications are subject to change without notice owing to continuous product up-gradation. Technical specifications are subject to production tolerances. We cannot be held responsible for printing errors, should they occur. **AHUJA** is a registered trademark of Ahuja Radios in India and other countries. © Copyright Ahuja Radios, 2025. All rights reserved. Any unauthorized reproduction or use of logos, images or design elements is strictly prohibited by law. No part of this compilation may be reproduced in any manner or translated without written permission.

AHUJA RADIOS

E. & O. E. 1.5K/10/24

215, Okhla Industrial Estate, New Delhi-110020, INDIA • C-45, Phase-II, Noida-201305 (UP) INDIA

Tel.: +91-11-26831549, 41612474 Fax: +91-11-26847287

E-mail: ahuja@ahujaradios.com Website: www.ahujaradios.com